



**D 85 AHA**  
**D 100 AHA**  
**D 120 AHA**

**D 85 AHG**  
**D 100 AHG**  
**D 120 AHG**  
**D 150 AHG**



[www.USA.com](http://www.USA.com)

AUSA - Automóviles Utilitarios, S.L. • Ctra. de Vic, Km 2.8 - P.O.B. 194, 08243 Manresa - BARCELONA (ESPAÑA) Tel.: +34 93 874 73 11 E-mail: [USA@USA.com](mailto:USA@USA.com)

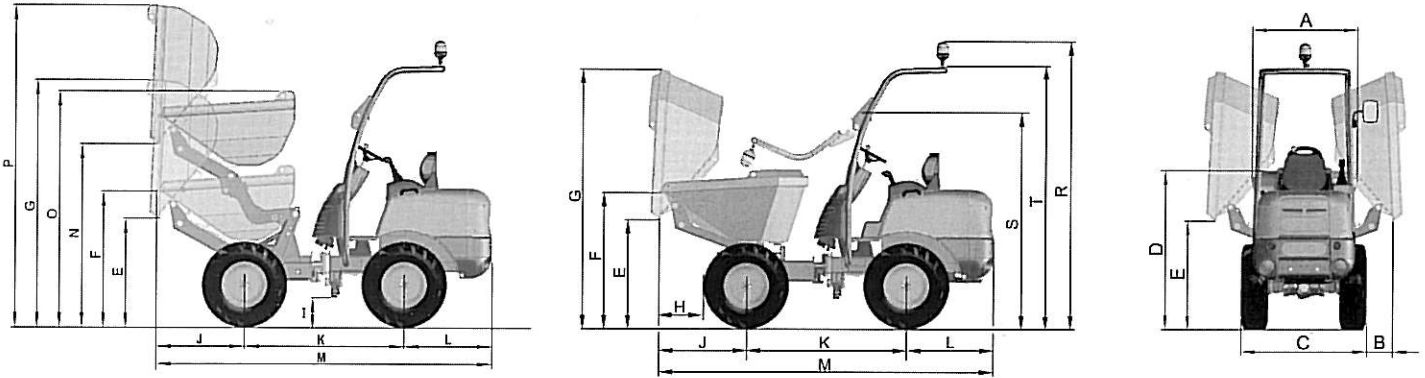


(Sede central AUSA-Manresa)

**AUSA MADRID** • Pol. Ind. Coslada-Marconi 15-17, 28820 Coslada - MADRID (ESPAÑA) Tel.: +34 91 669 00 06 E-mail: [USA.madrid@USA.com](mailto:USA.madrid@USA.com)  
**AUSA FRANCE** • Z. I. Saint Charles-Rue de Zürich, 66000 PERPIGNAN (FRANCE) Tel.: +33 (0) 4 68 54 38 97 E-mail: [USA.france@USA.com](mailto:USA.france@USA.com)  
**AUSA UK** • UNITS 6 & 7 Alma Industrial Estate, Regent Street - ROCHDALE OL12 0HQ (U.K.) Tel.: +44 (0) 1706 64 96 91 E-mail: [USA.uk@USA.com](mailto:USA.uk@USA.com)  
**AUSA DEUTSCHLAND GmbH.** • Heinrich - Welken Straße 5, 59069 HAMM - RHYERN (GERMANY) Tel.: +49 2385922245 E-mail: [USA.deutschland@USA.com](mailto:USA.deutschland@USA.com)  
**AUSA CORPORATION** • 2655 Le Jeune Road - Suite 808, CORAL GABLES FL 33134 (USA) Toll free: 1 800 820 AUSA E-mail: [USA.corp@USA.com](mailto:USA.corp@USA.com)  
**BEIJING REPRESENTATIVE OFFICE** • Address Room 527, HengXiang Building, Tuanjiehu Nanli, Chaoyang District. - Beijing 100026 CHINA  
 Tel: 86-10-8597 1983 - Fax: 86-10-8597 1993 - E-mail: [lunafeng@USA.com](mailto:lunafeng@USA.com)

DIMENSIONS (mm)		D 85 AHA	D 100 AHA	D 120 AHA	D 85 AHG	D 100 AHG	D 120 AHG	D 150 AHG
A		990	990	1190	990	990	1190	1391
B		-	-	-	350	250 (295*)	245	100
C		1015	1215 (1125*)	1200	1015	1215 (1125*)	1200	1450
D		1435	1440	1485	1420	1425	1470	1500
E		930	935	980	970	975	1020	1030
F		1225	1230	1275	1225	1230	1275	1275
G		2230	2235	2280	2380	2385	2430	2525
H		495	485	440	490	480	435	435
I		215	220	265	215	220	265	275
J		822	822	822	804	804	804	820
K		1500	1500	1500	1500	1500	1500	1600
L		820	820	820	820	820	820	820
M		3142	3142	3142	3124	3124	3124	3240
N		1630	1635	1680	-	-	-	-
O		2130	2135	2180	-	-	-	-
P		2930	2935	2980	-	-	-	-
Q		2600	2605	2650	2600	2605	2650	2600
R		1950	1955	2000	1950	1955	2000	2015
S		2370	2375	2420	2370	2375	2420	2450

\* with optional tyres



### TECHNICAL SPECIFICATIONS

		D 85 AHA / D 100 AHA / D 120 AHA	D 85 AHG / D 100 AHG / D 120 AHG	D 150 AHG
Load capacity (Kg)		850 / 1000 / 1200	850 / 1000 / 1200	1500
Unloading system		Hydraulic tipping.	Hydraulic, 180° rotating.	Hydraulic, 180° rotating.
Chassis		Articulated +/- 35° and oscillating +/- 13°.		
Hopper capacities (l)	Water	345 / 345 / 425	325 / 325 / 415	520
	Levelled	395 / 395 / 515	390 / 390 / 495	626
	Heaped	505 / 505 / 680	510 / 510 / 670	835
Engine	Diesel	Kubota D1105	Kubota D1105	Kubota D1105
	Power acc./DIN 70020 (KW/HP)	17,5 / 23,7	17,5 / 23,7	17,5 / 23,7
	N° of Cylinders	3	3	3
	Cooling system	Water	Water	Water
Traction		4 x 4 permanent		
Transmission		Hydrostatic with variable flow pump and automatic regulation. Forward and reverse control on the joystick.		
Engine starting system		Electric		
Speed (max.) (Km/h)		14 / 15 / 17	14 / 15 / 17	17
Axles		Axles with planetary wheel reduction		
Unladen weight (Kg)		1310 / 1310 / 1335	1210 / 1210 / 1235	1385
Gradient negotiable (with full load)		43% / 38% / 48%	43% / 38% / 48%	40%
Hydraulic circuit		Gear pump of 8 cc. Working pressure 170 bar.		
Tyres	Standard	7.00-12" / 11.0/65-12 / 10.0/75-15.3"	7.00-12" / 11.0/65-12 / 10.0/75-15.3"	10.0/75-15.3"
	Optional (D100AHA-AHG)	- / 27x8.50-15" / -	- / 27x8.50-15" / -	-
External turning circle (mm)		3060	3060	3260
Steering		Hydraulic		
Tank capacity (l)	Fuel	23	23	23
	Hydraulic fluid	21.2	21.2	21.2
Service and parking brake		Sealed oil-immersed, multidisc, mechanically operated		

### STANDARD EQUIPMENT

Anti vandal system
Ergonomic seat
Seat belt
Joystick
ROPS
Rotating beacon
Rear view mirror

### OPTIONAL EQUIPMENT

FOPS overhead guard
Lighting equipment
Audible reverse warning (Std. UK)